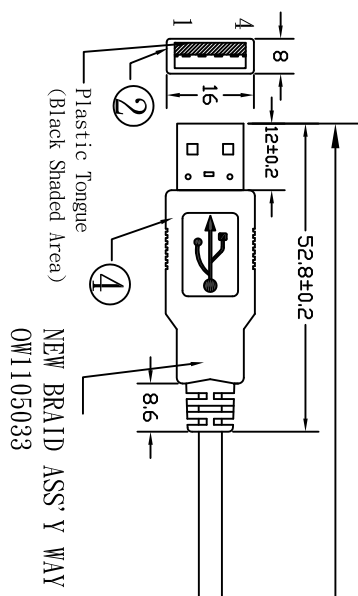
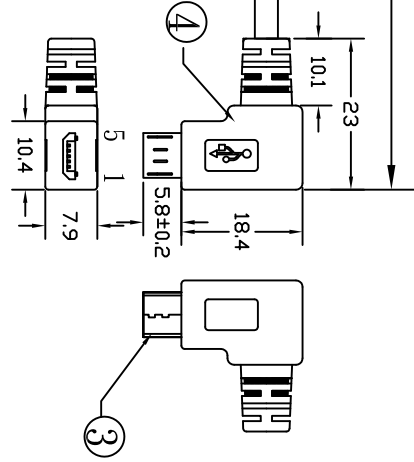


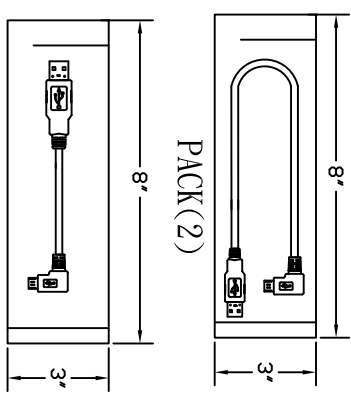
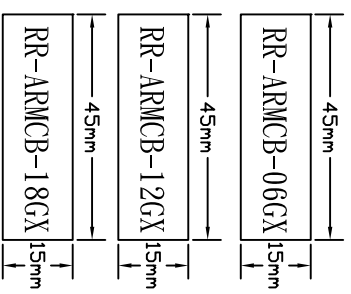
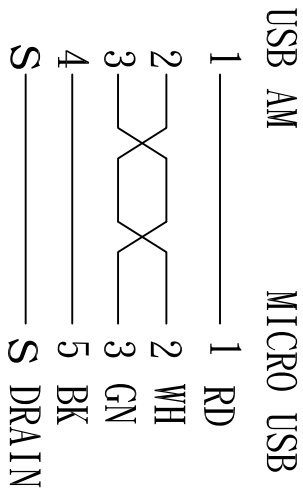
CHANGE VERSION	REMARKS	C
A 14/03/19	REL	D
B 15/09/04	CHANGE PACKAGE	E



P/N	LENGTH	PACK	PE BAG
RR-ARMCB-06GX	153±10	(1)	06*3" *8"
RR-ARMCB-12GX	305±20	(2)	06*3" *8"
RR-ARMCB-18GX	457±20	(3)	06*4" *6"
RR-ARMCB-24GX	610±30	(3)	06*4" *6"
RR-ARMCB-36GX	915±30	(3)	06*4" *6"



PIN OUT :



MATERIAL LIST :

NO.	P/NAME	DESCRIPTION	Q' TY
1	WIRE	UL2725 30AWG(7/0.10 TC)*1P+30AWG(7/0.10 TC)*2C+AL+ B(16*3/0.10 TC) OD:3.0±0.15 BLACK(B792) (COPARTNER)	1
2	PLUG	USB" A" TYPE MALE GOLD PLATED	1
3	PLUG	MICRO USB" B" TYPE 5P MALE GOLD PLATED SHORT TYPE	1
4	PVC	45P BLACK(B792)PVC	12g
5	PACKAGE	IPCE/PE BAG:06*A"*B"+ P/N STICKER	1

P/N STICKER

MOLD TOOL NO.
" A" TYPE A110-160-001 MICRO USB R A110-588-001

		<small>THE INFORMATION CONTAINED HEREIN IS THE PROPRIETARY INFORMATION OF RR BUSINESS VENTURES, LLC. THE POSSESSOR AGREES TO MAINTAIN THIS DOCUMENT IN CONFIDENCE; NOT REPRODUCE IT OR COPY IT, AND NOT TO REVEAL OR PUBLISH IT IN WHOLE OR PART. COPYRIGHT © 2019</small>	
FILE NAME	DATE	CUSTOMER	SCALE
OW1403025	15/09/04	CUSTOMER P/N	UNIT
			MM
			REV
			B

DRAWN BY	CHECKED BY	CONFIRMED BY
Marcos		
CHECKED BY	CHECKED BY	APPROVED BY

**ROHS**