

1

2

3

4

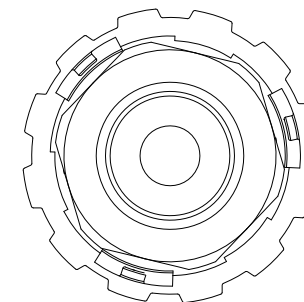
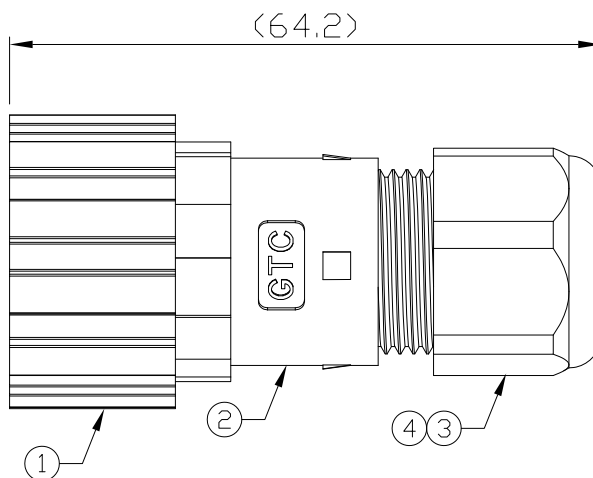
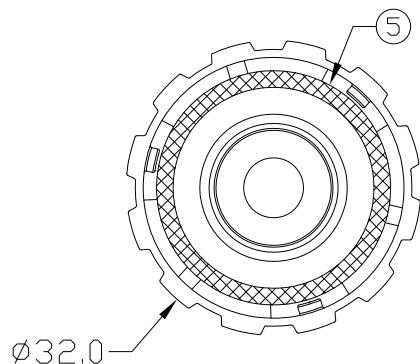
Notes: (Unless Otherwise Specified)

- 1. WaterProof Rate: IP68.
- 2. Suitable Cable  $\varnothing$ D=6.0mm To 8.0mm.
- 3. Recommend Gland Nut Torque: 14~15 Kgf-cm.
- 4. RoHS Compliant.
- 5. Pack Each Product In A Poly Bag And 25pcs In A Poly Bag.

REV	ECN#	DESCRIPTION OF REVISION	DRAW BY DATE	CHECK BY DATE	APPROVE BY DATE
A0			Aileen 08/09/24	Hank 08/09/24	Lucas 08/09/24

RR-2F1410\_REV:XX\_QTY:1PCS  
**LOT: XXXX**  
**Made in XXXXX**

RR-2F1410\_REV:XX\_QTY:25PCS  
**LOT: XXXX**  
**Made in XXXXX**



5	Gasket	Silicone Color: Black	1
4	Gland Nut	Thermoplastic Color: Black	1
3	Gland	Silicone Color: Black	1
2	Cover	Thermoplastic Color: Black	1
1	Lock Nut	Zn Alloy Finish: Ni Plated	1
Item	Part Name	Material / Finish	Q'ty

GTC  
 DOC.CENTER.ISSUE  
**AUG.09.2024**  
 ONLY FOR  
 RELEASE

TITLE						DRAWING NUMBER			REV.
SFP Metal Field Installable Cable End Lock						RR-2F1410			A0
THIRD ANGLE PROJECTION	SIZE	SCALE	DRAW / DATE	CHECK / DATE	APPROVE / DATE	TOLERANCES	UNIT	SHEET	
	B	1:1	Aileen 08/09/24	Hank 08/09/24	Lucas 08/09/24	X.X ± 0.5 X.XX ± 0.2	mm	1/1	
						X.XXX ± 0.05 ANGLES ± 1°			

**USB FIREWIRE.com**

THE INFORMATION CONTAINED HEREIN IS PROPRIETARY AND CONFIDENTIAL TO RR BUSINESS VENTURES, LLC. THE POSSESSOR AGREES TO THE FOLLOWING

1. MAINTAIN THIS DOCUMENT IN CONFIDENCE
2. NOT TO REPRODUCE OR COPY IT
3. NOT TO REVEAL OR PUBLISH IT IN WHOLE OR PART

1

2

3

4